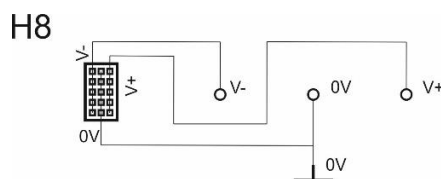
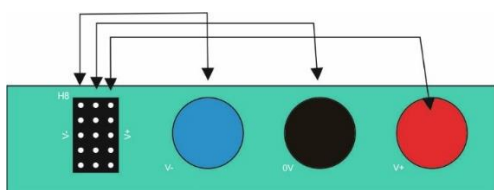
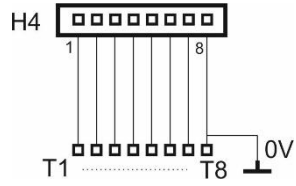
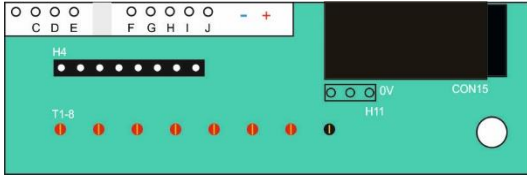


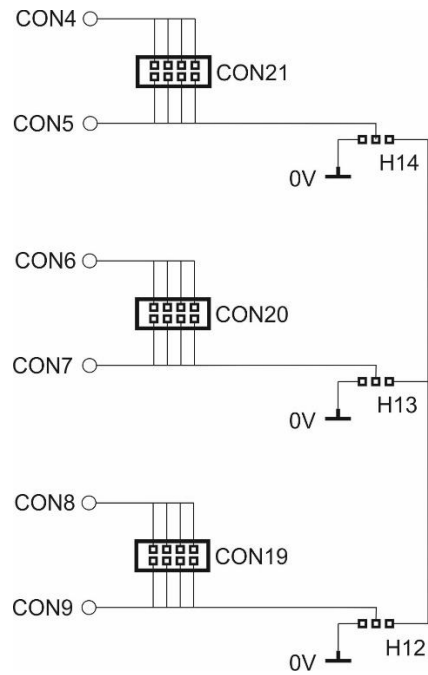
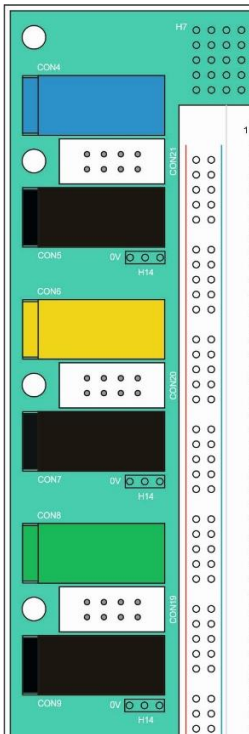
1. Power connection:



2. Test point connection:



3. Signal connectie 4mm Banana:



4. Signal connectie with 34 polige cable or pcb-board

